

# FRP TROUGH SYSTEMS

FRP TROUGH SYSTEMS



## BENEFITS

- Rugged laminate with 24 oz woven roving throughout
- 30% stronger for longer lengths
- Integrally molded lateral stiffening flanges

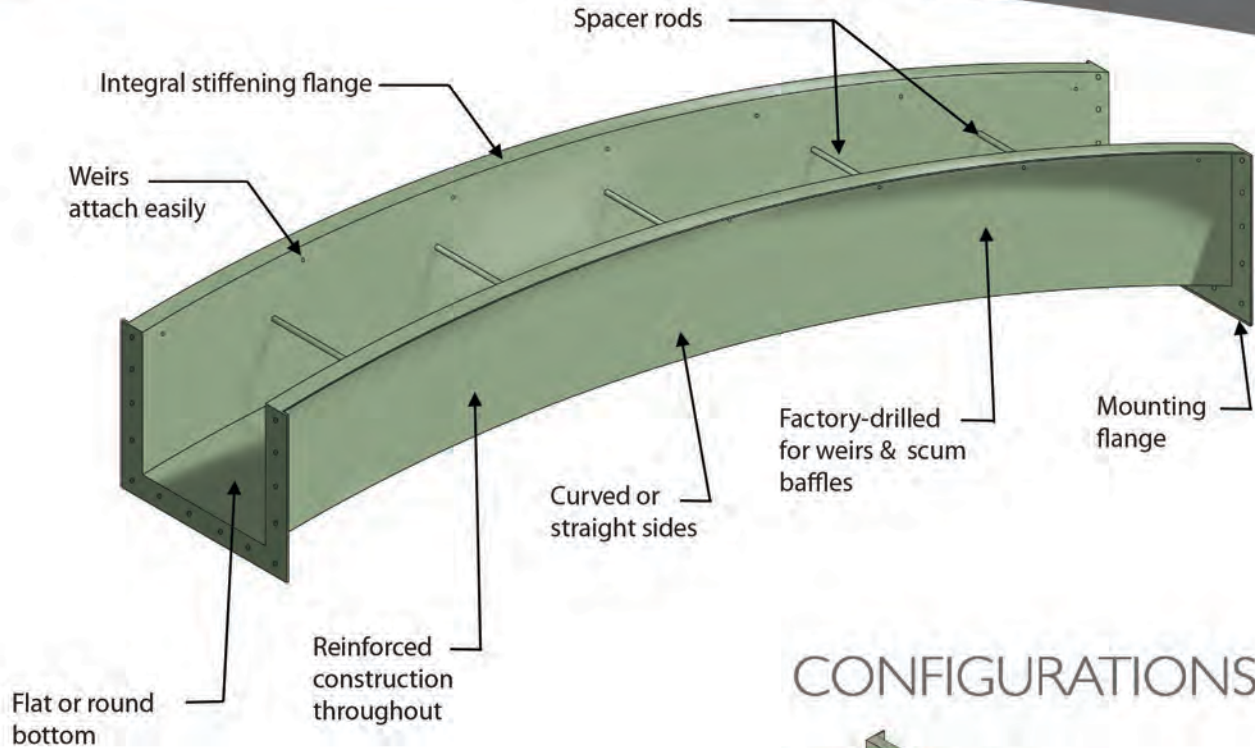
## FEATURES

- Internal reinforcement in critical areas
- Flange-by-flange or slip joint connections
- FRP, HDG or stainless steel brackets
- Available in ISO, VE, NSF61
- Parshall Flumes

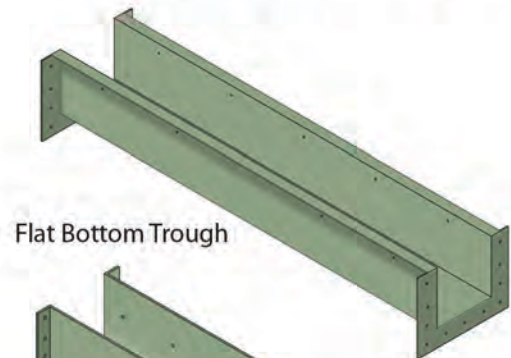


THE CLEAR DIFFERENCE.

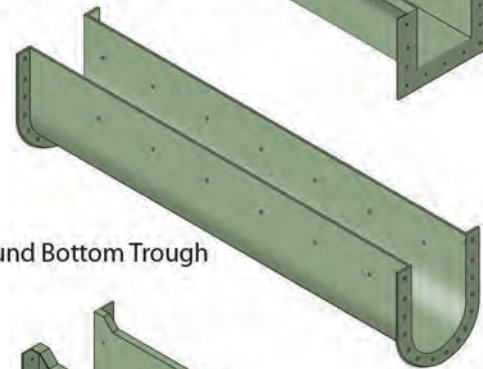
# 30% STRONGER FIBERGLASS TROUGHS FOR NEW AND RETROFIT APPLICATIONS



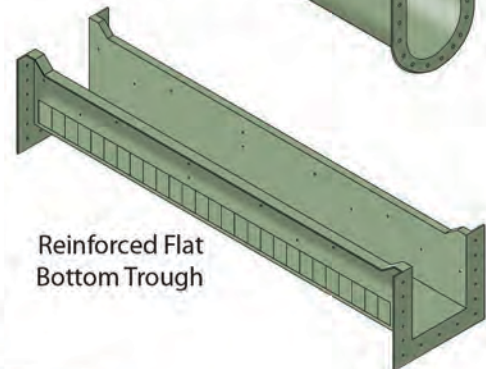
## CONFIGURATIONS



Flat Bottom Trough



Round Bottom Trough



Reinforced Flat Bottom Trough

PROPERTY	TEST	VALUE
Tensile Strength	ASTM D-638	18,000 psi
Flexural Strength	ASTM D-790	28,000 psi
Flexural Modulus	ASTM D-790	1.08 x 10 <sup>6</sup> psi
Barcol Hardness	ASTM D-2853	40
Notched Izod	ASTM D-256	13 ft-lbs/in
Water Absorption	ASTM D-570	.08%

## THE BASICS

- Complete effluent trough systems
- Corrosion & UV resistant materials
- Flange-by-flange design
- Stainless steel hardware
- Wash, UV, filter troughs
- Easily retrofitted to existing systems
- Supplied with trough support systems

For more information visit our website [www.nefco.us](http://www.nefco.us)



NEFCO Systems, Inc.  
8895 N Military Trail, Suite 100C  
Palm Beach Gardens, FL 33410  
(561) 775-9303