

FULL-SPAN COVER SYSTEMS

FULL-SPAN COVER SYSTEM



BENEFITS

- Load-bearing surface
- Convenient access to otherwise covered areas
- Reduces maintenance
- Enables odor and algae control
- Help maintain temperature

FEATURES

- Non-skid surface
- Heavy duty construction
- Access Hatches
- Engineered Designs



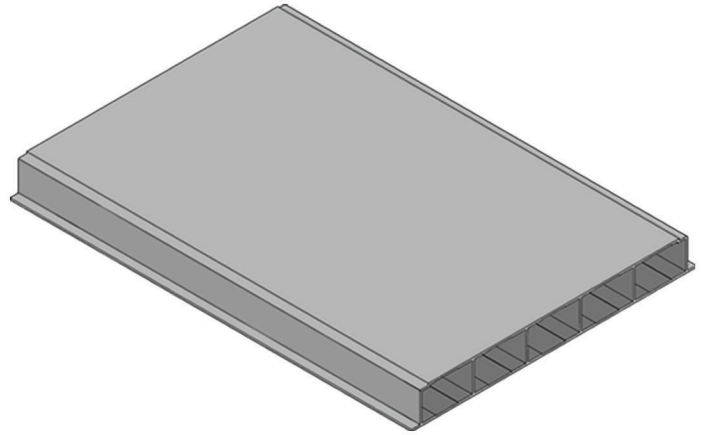
THE CLEAR DIFFERENCE.™

FULL-SPAN COVER SYSTEMS FOR OPEN TOP TANKS, CHANNELS, AND OTHER STRUCTURES

CONFIGURATIONS



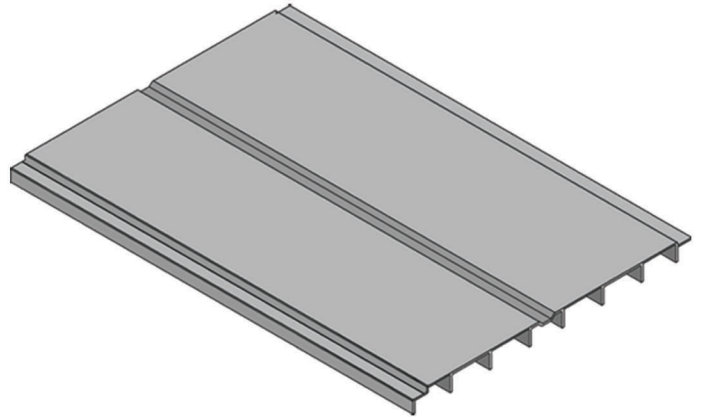
Top Mount Clear Span



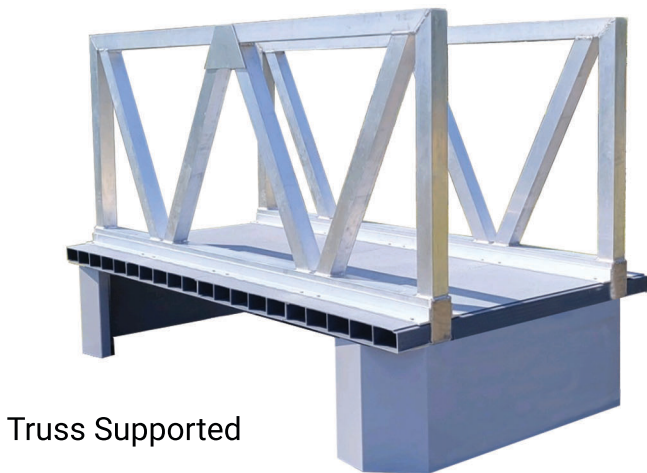
Full Span Cover Panel



Flush Mount Clear Span



Deckboard



Truss Supported

COVER APPLICATIONS

- Grit Chambers
- UV Structures
- Flow Channels
- Aeration Basins
- Chlorine Contact Tanks
- Headwork Structures

For more information visit our web site www.nefco.us



NEFCO Systems, Inc.
8895 N Military Trail, Suite 100C
Palm Beach Gardens, FL 33410
(561) 775-9303