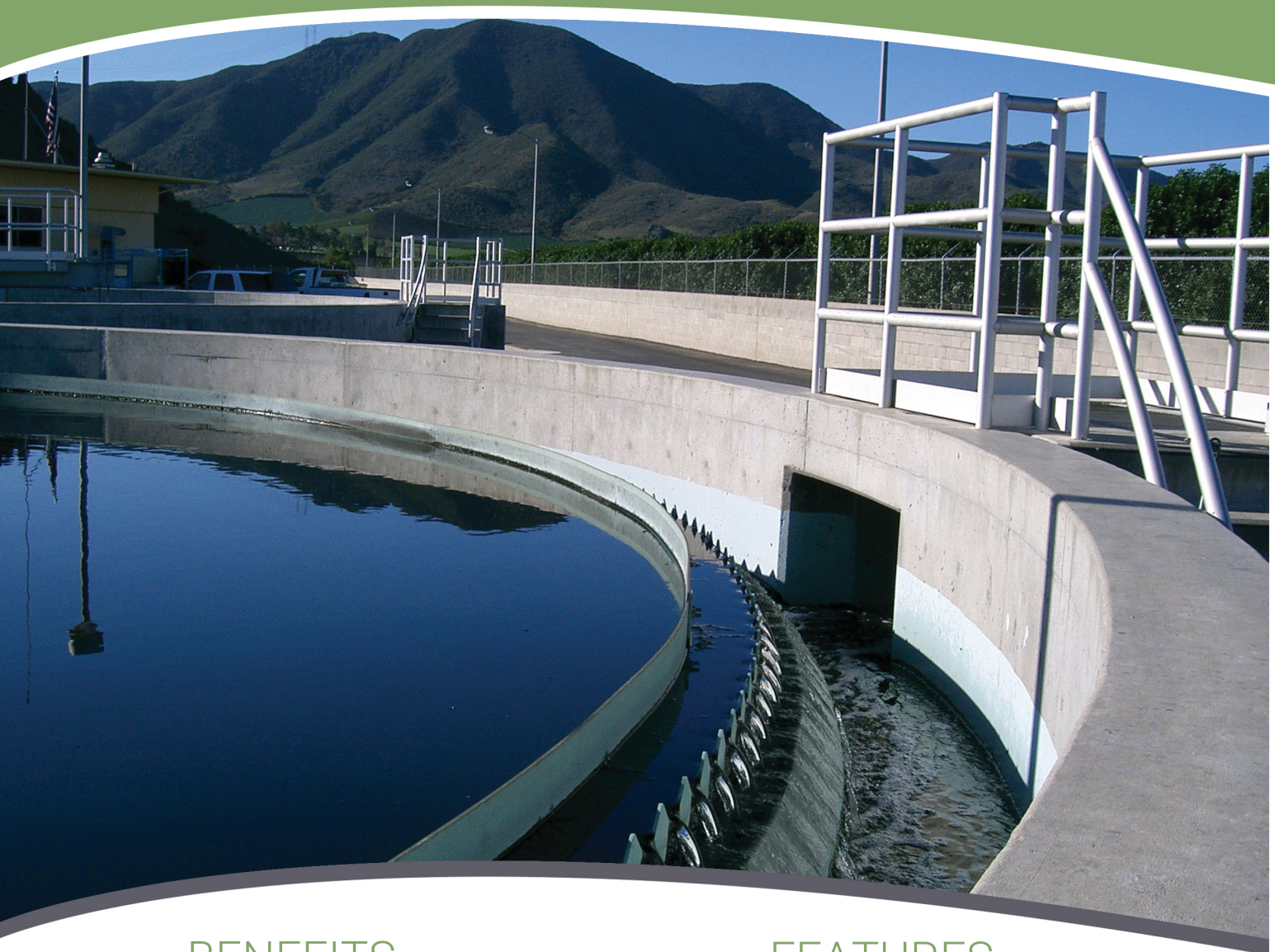


WEIRS AND SCUM BAFFLES



WEIRS AND SCUM BAFFLES

BENEFITS

- Complete range of notch patterns
- Fiberglass construction
- Full range of height and thickness
- Lengths to 20 feet

FEATURES

- Fiberglass construction
- Corrosion resistant
- UV suppressed
- Custom fabrication available
- Available in ISO, VE, NSF61



THE CLEAR DIFFERENCE.

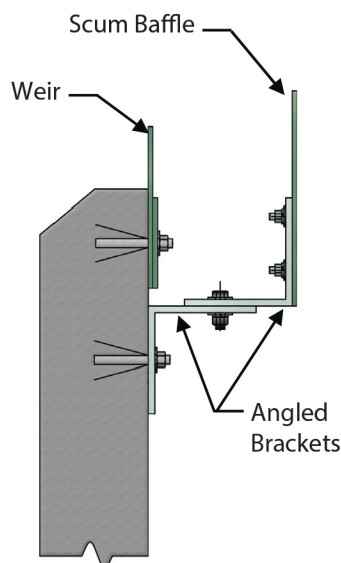
COST-EFFECTIVE WEIR AND SCUM BAFFLE SYSTEMS

THE BASICS

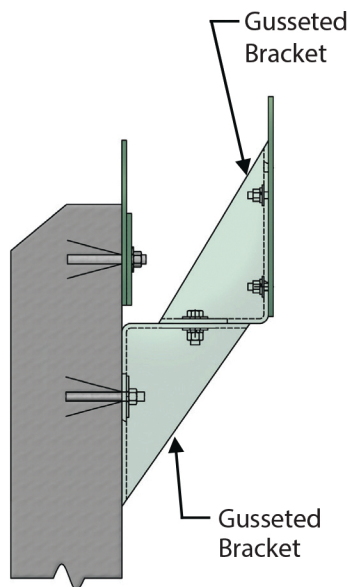
- Custom engineered to clarifier/system dimensions
- Corrosion resistant fiberglass
- Retains floatables and scum
- Maintains even effluent flow into trough
- Stainless steel hardware
- Vast array of shapes and sizes available
- Easily retrofitted to existing systems
- Most cost-effective corrosion resistant material

MOUNTING OPTIONS

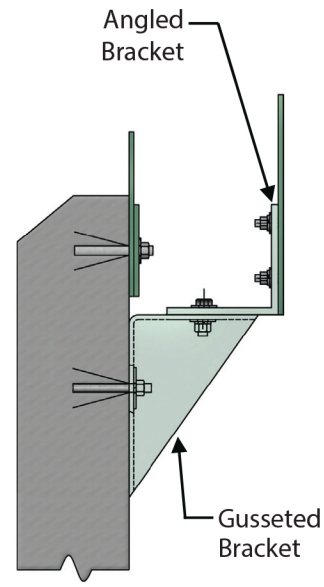
Angled Bracket Configuration



Gusseted Bracket Configuration



Mixed Bracket Configuration



For more information visit our website www.nefco.us



NEFCO Systems
8895 N Military Trail, Suite 100C
Palm Beach Gardens, FL 33410
(561) 775-9303