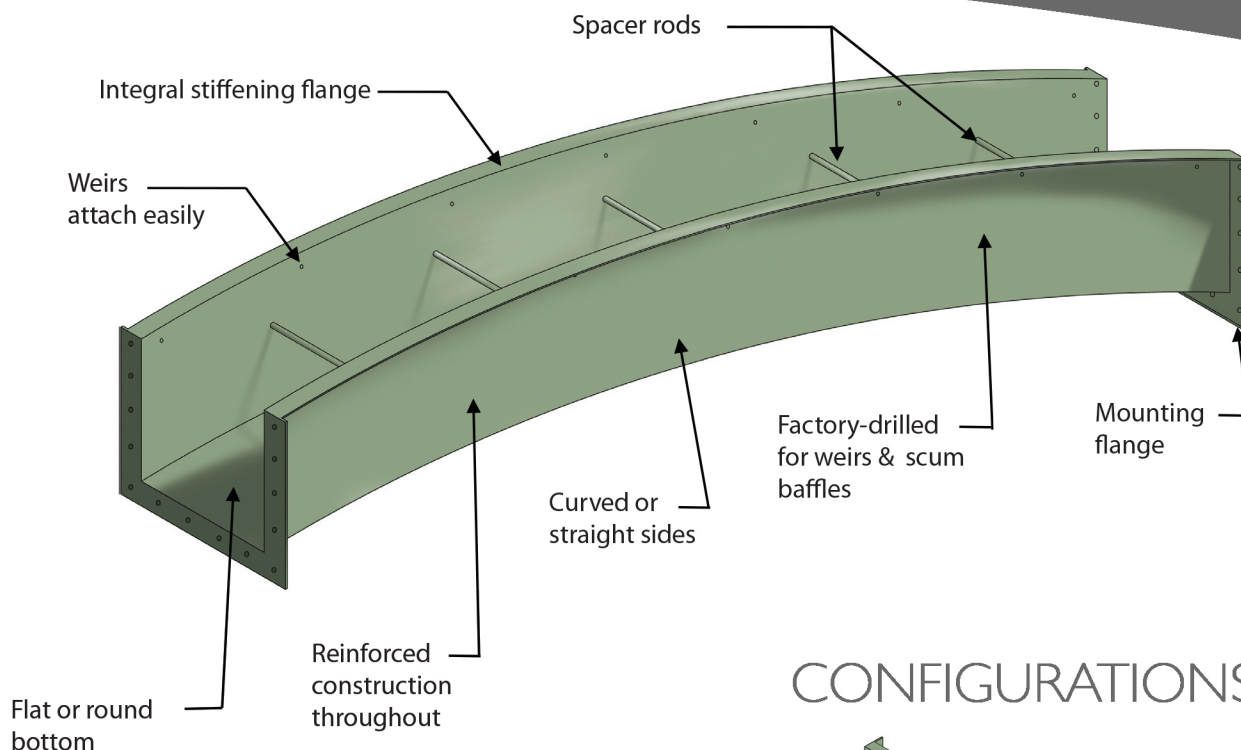
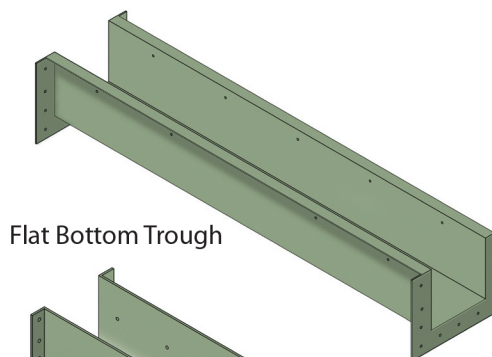


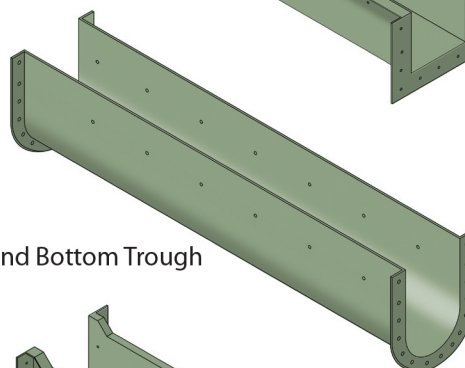
30% STRONGER FIBERGLASS TROUGHS FOR NEW AND RETROFIT APPLICATIONS



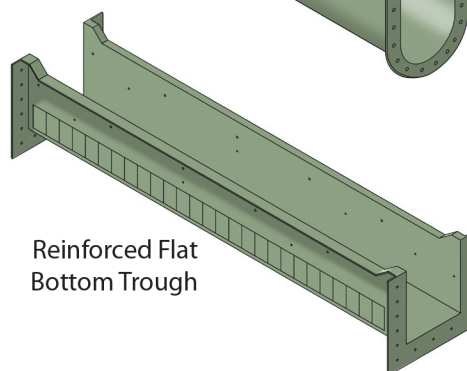
CONFIGURATIONS



Flat Bottom Trough



Round Bottom Trough



Reinforced Flat Bottom Trough

PROPERTY	TEST	VALUE
Tensile Strength	ASTM D-638	18,000 psi
Flexural Strength	ASTM D-790	28,000 psi
Flexural Modulus	ASTM D-790	1.08 x 10 ⁶ psi
Barcol Hardness	ASTM D-2853	40
Notched Izod	ASTM D-256	13 ft-lbs/in
Water Absorption	ASTM D-570	.08%

THE BASICS

- Complete effluent trough systems
- Corrosion & UV resistant materials
- Flange-by-flange design
- Stainless steel hardware
- Wash, UV, filter troughs
- Easily retrofitted to existing systems
- Supplied with trough support systems

For more information visit our website www.nefco.us



NEFCO Systems
 8895 N Military Trail, Suite 100C
 Palm Beach Gardens, FL 33410
 (561) 775-9303

FRP TROUGH SYSTEMS



FRP TROUGH SYSTEMS

BENEFITS

- Rugged laminate with 24 oz woven roving throughout
- 30% stronger for longer lengths
- Integrally molded lateral stiffening flanges

FEATURES

- Internal reinforcement in critical areas
- Flange-by-flange or slip joint connections
- FRP, HDG or stainless steel brackets
- Available in ISO, VE, NSF61
- Parshall Flumes