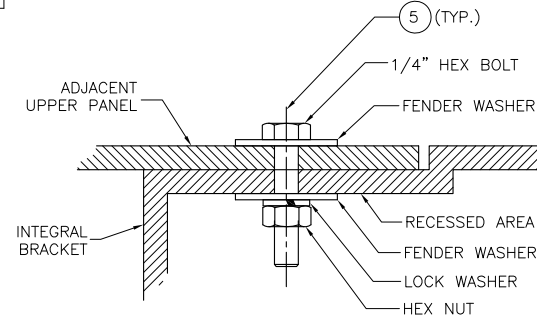
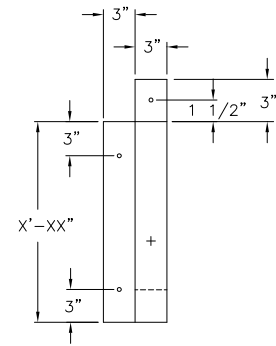
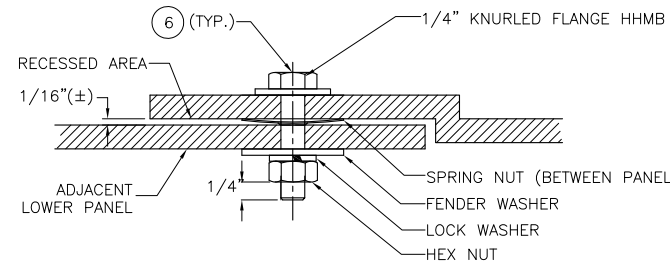


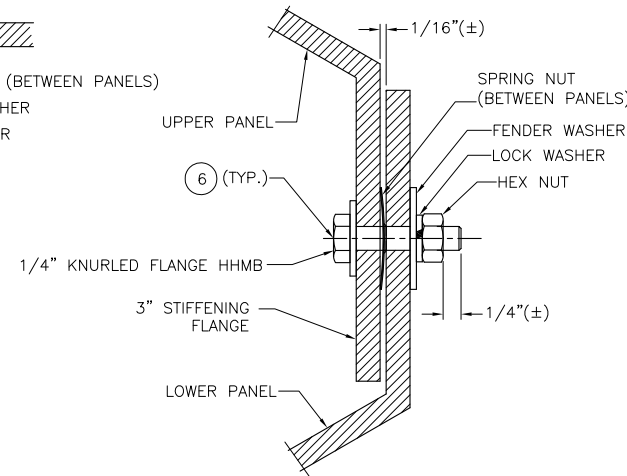
FREE-END BRACKET



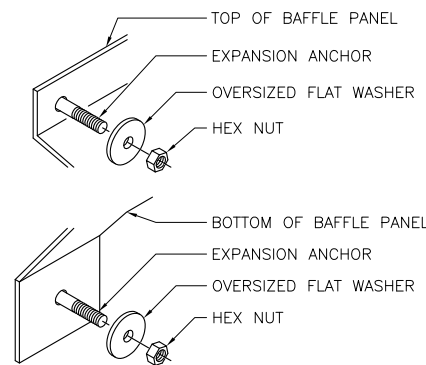
ADJACENT UPPER PANEL CONNECTION



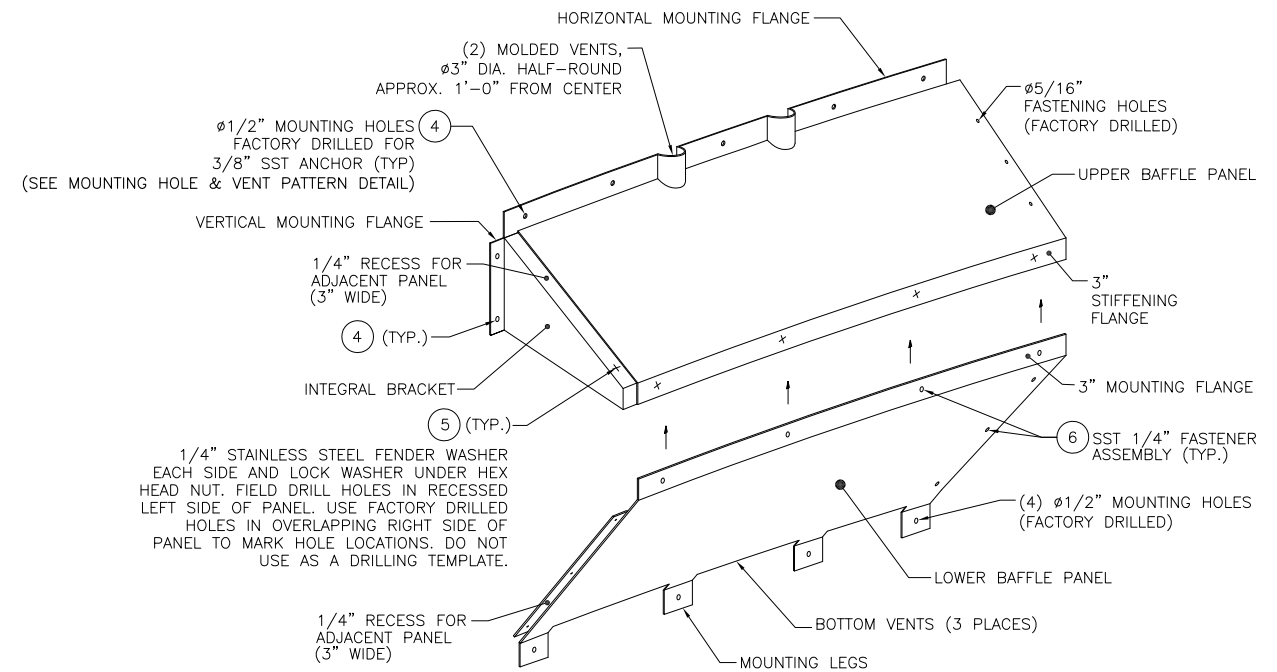
ADJACENT LOWER PANEL CONNECTION



LOWER TO UPPER PANEL CONNECTION AT 3" STIFFENING FLANGE



WALL MOUNTING INSTALLATION



PERSPECTIVE VIEW

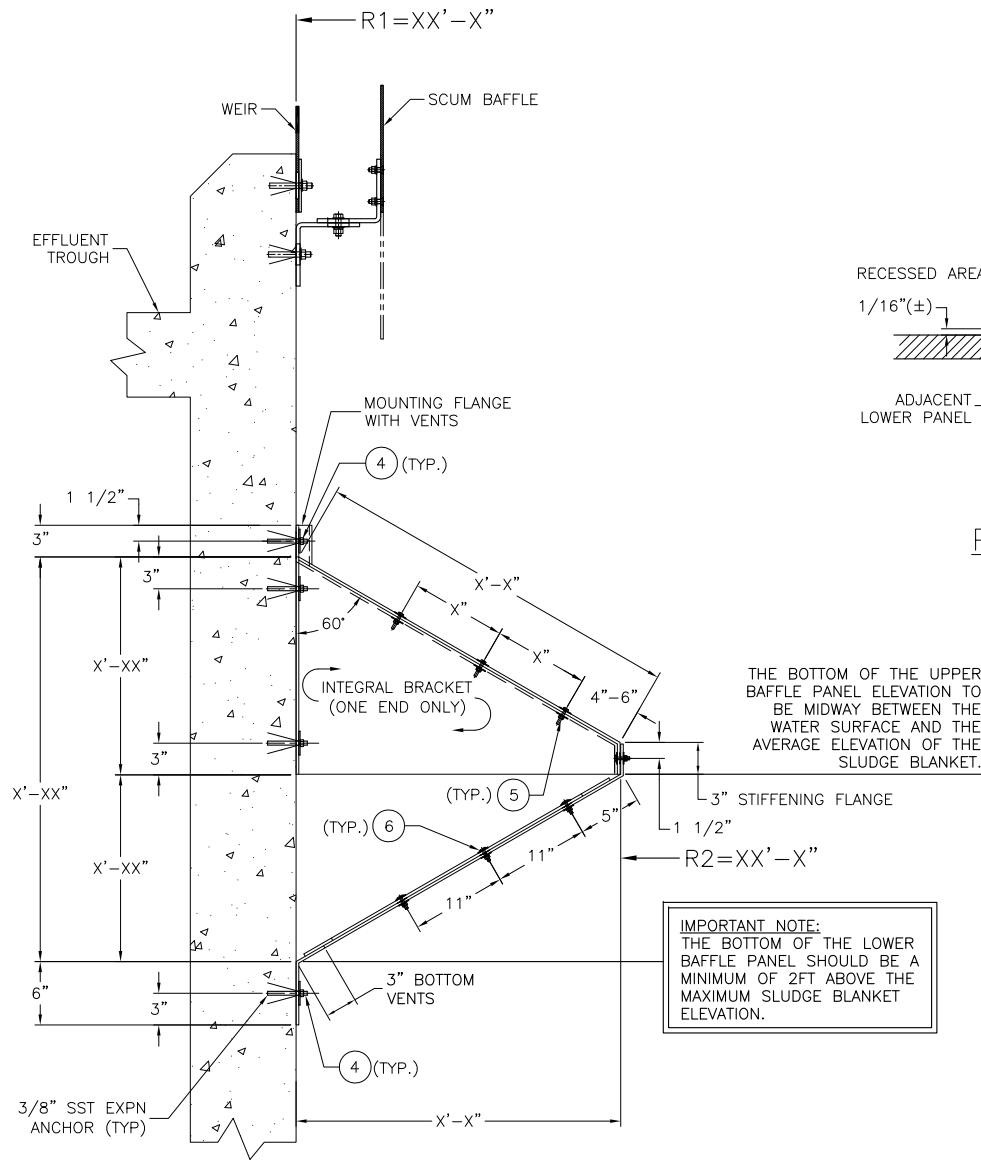
NOTES:

- ONE (1) TANKS, DIAMETER AT BAFFLE =  $\phi XX'-X''$ .
- BAFFLE PANELS ARE CHOPPED STRAND FRP 1/4" MINIMUM THICKNESS.
- 357-211 PLN CTC GLASS REINFORCEMENT OR EQUIVALENT. COREZYN, COR75-AQ-010, ISOPHTHALIC RESIN OR EQUIVALENT, WITH MINIMUM .05% BLACK PIGMENT, MAX 5% FILL AND UV SUPPRESSED.
- LAMINATE SHALL NOT HAVE LESS THAN 30% GLASS CONTENT.
- ADD 2" DRAFT TO BRACKET ON PLUG TO COMPENSATE FOR SHRINKAGE.
- ONE-EIGHTH INCH RADIUS ON ALL CORNERS.
- UPPER AND LOWER BAFFLE SURFACES ARE MOLD SMOOTH.
- UPPER AND LOWER BAFFLE SURFACES ARE LAMINATED WITH ONE LAYER C-TYPE VEIL MAT.
- THE VERTICAL MOUNTING FLANGE AND LOWER PANEL MOUNTING LEGS REINFORCED WITH ONE LAYER 24 OZ WOVEN ROVING.
- PARTS SHALL BE UNIFORMLY BLACK WITH NO FIBER SHOWING.
- PARTS ARE KNIFE TRIMMED, WITH EDGES SANDED AND HOT COATED.
- TANK MOUNTING HOLES ARE FACTORY DRILLED (1/2") AND SEALED.
- SEAL ALL CUT EDGES PER MANUFACTURER'S DIRECTIONS.
- ALL FASTENERS ARE 304 SST UNLESS OTHERWISE NOTED.

© COPYRIGHT 2018 NEFCO SYSTEMS, INC.

PATENTS  
 U.S. PATENT NO.s 5,252,205 & 5,597,483  
 STAMFORD BAFFLE 2.0 7,971,731  
 CANADIAN PATENT NO. 2,100,380

MATERIALS / TANK		
ITEM	QTY.	DESCRIPTION
1	XX	UPPER BAFFLE PANELS
2	XX	LOWER BAFFLE PANELS
3	1	FREE END BRACKET
4	XXX	3/8" X 3-3/4" EXPANSION ANCHORS, OVERSIZED FLAT WASHERS, HEX NUTS
5	XXX	1/4-20 X 1-1/2" HEX BOLT, (2) FENDER WASHER, LOCK WASHER, 1/4" HEX NUT
6	XXX	1/4-20 X 1-1/2" KNURLED FLANGE HHMB, SPRING NUT, FENDER WASHER, LOCK WASHER, NUT



SECTION A-A END VIEW

**IMPORTANT NOTE:**  
 THE BOTTOM OF THE LOWER BAFFLE PANEL SHOULD BE A MINIMUM OF 2FT ABOVE THE MAXIMUM SLUDGE BLANKET ELEVATION.

REVISIONS:

NO.	DATE	DETAILS

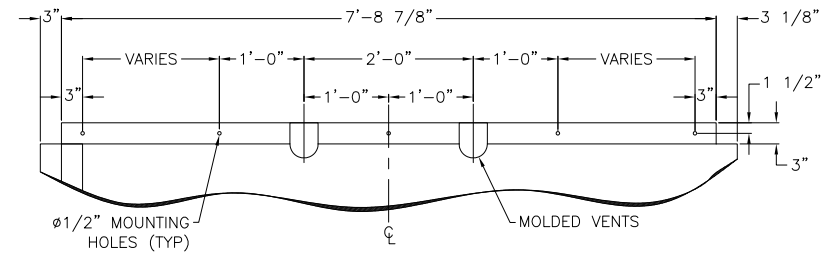
NEFCO SYSTEMS, INC.  
 8895 NORTH MILITARY TRAIL  
 BUILDING-C, SUITE 100  
 PALM BEACH GARDENS, FL 33410  
 (561) 775-9303  
 www.nefco.us



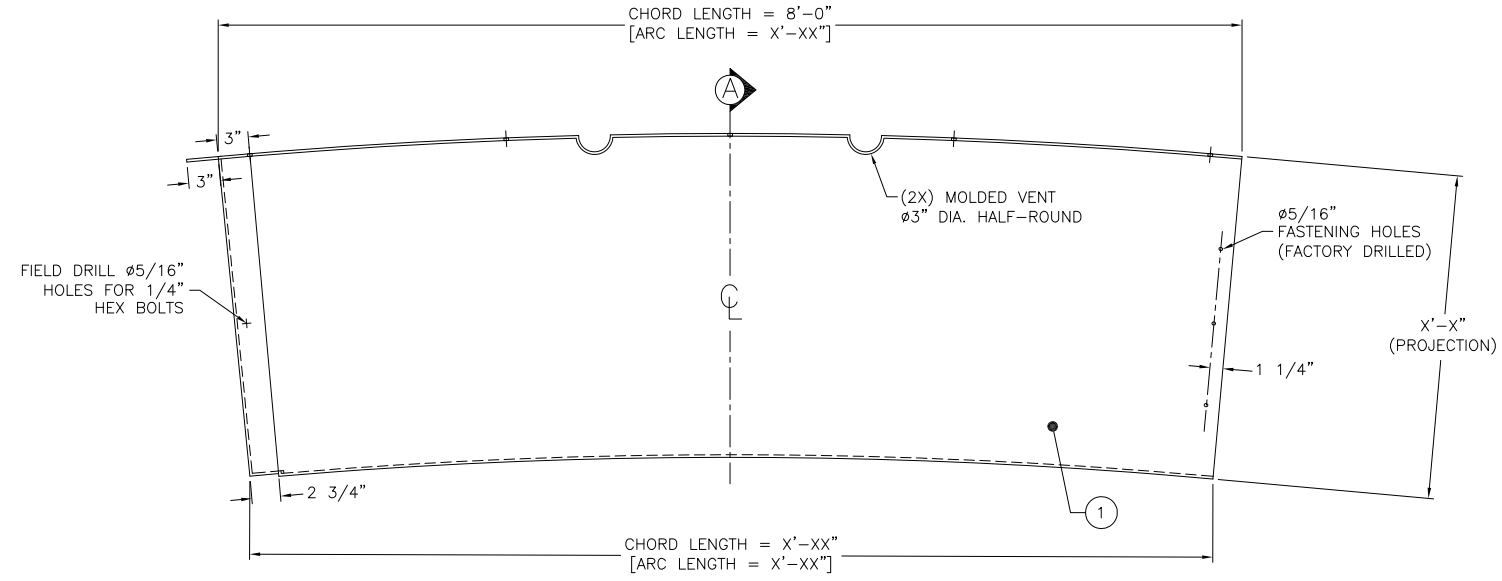
PROJECT: EL SEGUNDO, CA  
 EFFLUENT PROJECT PHASE II  
 TITLE: FRP DUAL SURFACE DENSITY CURRENT BAFFLE FOR TWO (2) CLARIFIERS T-601 & T-701  
 CONTRACTOR: SIEMENS ENERGY, INC  
 ENGINEER: JACOBS  
 P.O. 45059982

DWG BY: DJC  
 CHK BY: JEA  
 PRJ MG: ET  
 SCALE: N.T.S.  
 DATE: 10/24/18

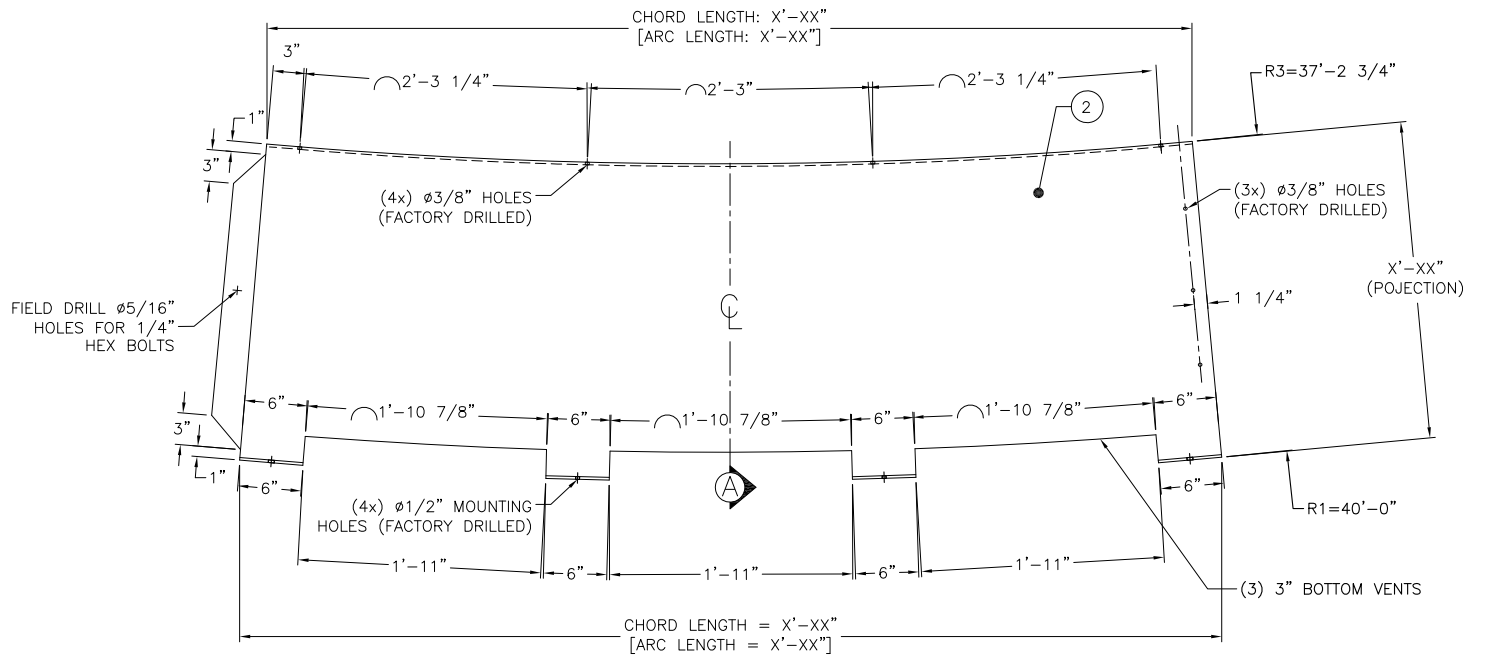
DWG NO. 16114-2C  
 SHEET NO. 1 OF 2



**MOUNTING HOLE & VENT PATTERN**  
(NOT TO SCALE)



**UPPER BAFFLE PANEL**



**LOWER BAFFLE PANEL**

**BASIC BAFFLE INSTALLATION INSTRUCTIONS:**  
**NOTE: PLEASE READ THE ENTIRE INSTRUCTIONS BEFORE STARTING THE BAFFLE INSTALLATION!!! IF YOU HAVE ANY QUESTIONS, PLEASE CALL US IMMEDIATELY AT (561) 775-9303.** THE BAFFLE PANELS ARE GENERALLY INSTALLED IN A COUNTERCLOCKWISE MANNER TO THE INSIDE SURFACE OF THE TANK WALL ALONG THE CIRCUMFERENCE AS IF LOOKING OUTWARD FROM THE CENTER.

**UPPER BAFFLE PANEL INSTALLATION**

1) EXAMINE THE PROPOSED LOCATION ALONG THE ENTIRE PERIMETER OF THE TANK AT THE PROPER ELEVATION FOR ANY INTERFERENCE OR OBSTRUCTION.

2) IF NO OBSTRUCTION EXISTS, BEGIN THE INSTALLATION BY MOUNTING THE FIRST UPPER BAFFLE PANEL AT THE PROPER ELEVATION RANDOMLY AT SOME POINT ALONG THE PERIMETER OF THE TANK WALL. USE THE FACTORY MOUNTING HOLES IN THE PANEL AS A GUIDE TO MARK THE WALL PRIOR TO DRILLING THE ANCHOR MOUNTING HOLES. REMOVE THE PANEL AND DRILL THE WALL ANCHOR HOLES (NEVER USE THE FACTORY HOLES AS A DRILLING TEMPLATE). INSERT THE APPROPRIATE ANCHORS INTO THE HOLES, REPLACE THE PANEL AND SECURE IT TO THE WALL WITH THE HARDWARE AS SHOWN IN THE INSTALLATION DETAIL. MOVE TO THE LEFT AND MOUNT THE NEXT PANEL SIMILAR TO THE FIRST. IN ADDITION TO THE MOUNTING HOLES, ALSO MARK THE LAP HOLES ON THE RECESS OF THE INTEGRAL BRACKET OF THE FIRST PANEL MOUNTED USING THE FACTORY HOLES IN THE RIGHT SIDE OF THE SECOND PANEL AS A GUIDE. CONTINUE INSTALLING THE UPPER BAFFLE PANELS COUNTER-CLOCKWISE USING THE SAME STEPS UNTIL YOU REACH THE OPPOSITE SIDE OF THE FIRST PANEL INSTALLED. ACCURATELY MEASURE AND THEN FIELD CUT THE LAST UPPER BAFFLE PANEL TO FIT THE REMAINING SPACE AND INSTALL.

3) IF AN OBSTRUCTION DOES EXIST LIKE THE EFFLUENT BOX OR SCUM PIPE, BEGIN BY MOUNTING THE FREE END BRACKET AT THE DESIRED ELEVATION TO THE LEFT SIDE OF THE OBSTRUCTION. INSTALL THE FIRST BAFFLE PANEL TO THE LEFT SIDE OF THE FREE END BRACKET USING THE SAME METHOD AS IN STEP-1 ABOVE. LAP THE RIGHT SIDE OF THE PANEL ON TOP OF THE FREE END BRACKET. MARK THE LAP HOLES ON THE FREE END BRACKET USING THE FACTORY HOLES IN THE RIGHT SIDE OF THE PANEL AS A GUIDE. AGAIN, REMOVE THE PANEL BEFORE DRILLING. CONTINUE INSTALLING UPPER BAFFLE PANELS COUNTER-CLOCKWISE UNTIL YOU REACH THE OPPOSITE SIDE OF THE OBSTRUCTION. ACCURATELY MEASURE AND THEN FIELD CUT THE LAST BAFFLE PANEL TO FIT THE REMAINING SPACE AND INSTALL.

**LOWER BAFFLE PANEL INSTALLATION**

1) START INSTALLATION AT THE FIRST UPPER BAFFLE PANEL INSTALLED.

2) USE THE FACTORY DRILLED MOUNTING HOLES IN THE LOWER BAFFLE PANEL AS A GUIDE TO MARK THE WALL AND UPPER BAFFLE PANEL PRIOR TO DRILLING THE MOUNTING AND ANCHOR HOLES. REMOVE THE PANEL AND DRILL THE MOUNTING AND WALL ANCHOR HOLES (NEVER USE THE FACTORY DRILLED HOLES AS A DRILLING TEMPLATE). INSERT THE ANCHORS INTO THE WALL AND THE SIDEWALK MACHINE SCREWS WITH NEOPRENE WASHER INTO THE UPPER PANEL MOUNTING HOLES. INSTALL THE SPEED NUTS ONTO THE SIDEWALK MACHINE SCREWS. REPLACE THE PANEL AND SECURE IT TO THE WALL AND UPPER BAFFLE PANEL WITH THE HARDWARE AS SHOWN IN THE INSTALLATION DETAIL. MOVE COUNTER-CLOCKWISE AND MOUNT THE NEXT PANEL SIMILAR TO THE FIRST. IN ADDITION TO THE MOUNTING HOLES, ALSO MARK THE LAP HOLES ON THE RECESS OF THE FIRST LOWER BAFFLE PANEL MOUNTED USING THE FACTORY HOLES IN THE RIGHT SIDE OF THE LOWER BAFFLE PANEL BEING INSTALLED AS A GUIDE. CONTINUE INSTALLING PANELS FROM RIGHT TO LEFT USING THE SAME STEPS UNTIL YOU REACH THE OPPOSITE SIDE OF THE FIRST PANEL INSTALLED. ACCURATELY MEASURE AND THEN FIELD CUT THE LAST LOWER BAFFLE PANEL TO FIT THE REMAINING SPACE AND INSTALL.

REVISIONS:	DETAILS	
	NO.	DATE

NEFCO SYSTEMS, INC.  
 8895 NORTH MILITARY TRAIL  
 BUILDING-C, SUITE 100  
 PALM BEACH GARDENS, FL 33410  
 (561) 775-9303  
 www.nefco.us



PROJECT:	EL SEGUNDO, CA EFFLUENT PROJECT PHASE II
TITLE:	FRP DUAL SURFACE DENSITY CURRENT BAFFLE FOR TWO (2) CLARIFIERS T-601 & T-701
CONTRACTOR:	SIEMENS ENERGY, INC
ENGINEER:	JACOBS
P.O.:	45059982

DWG BY:	DJC
CHK BY:	JEA
PRJ MG:	ET
SCALE:	N.T.S.
DATE:	10/24/18
DWG NO.:	16114-2C
SHEET NO.:	2 OF 2